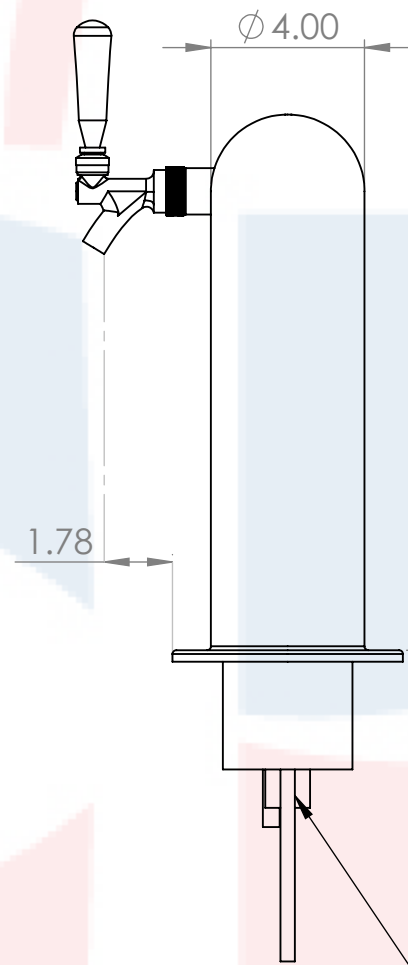
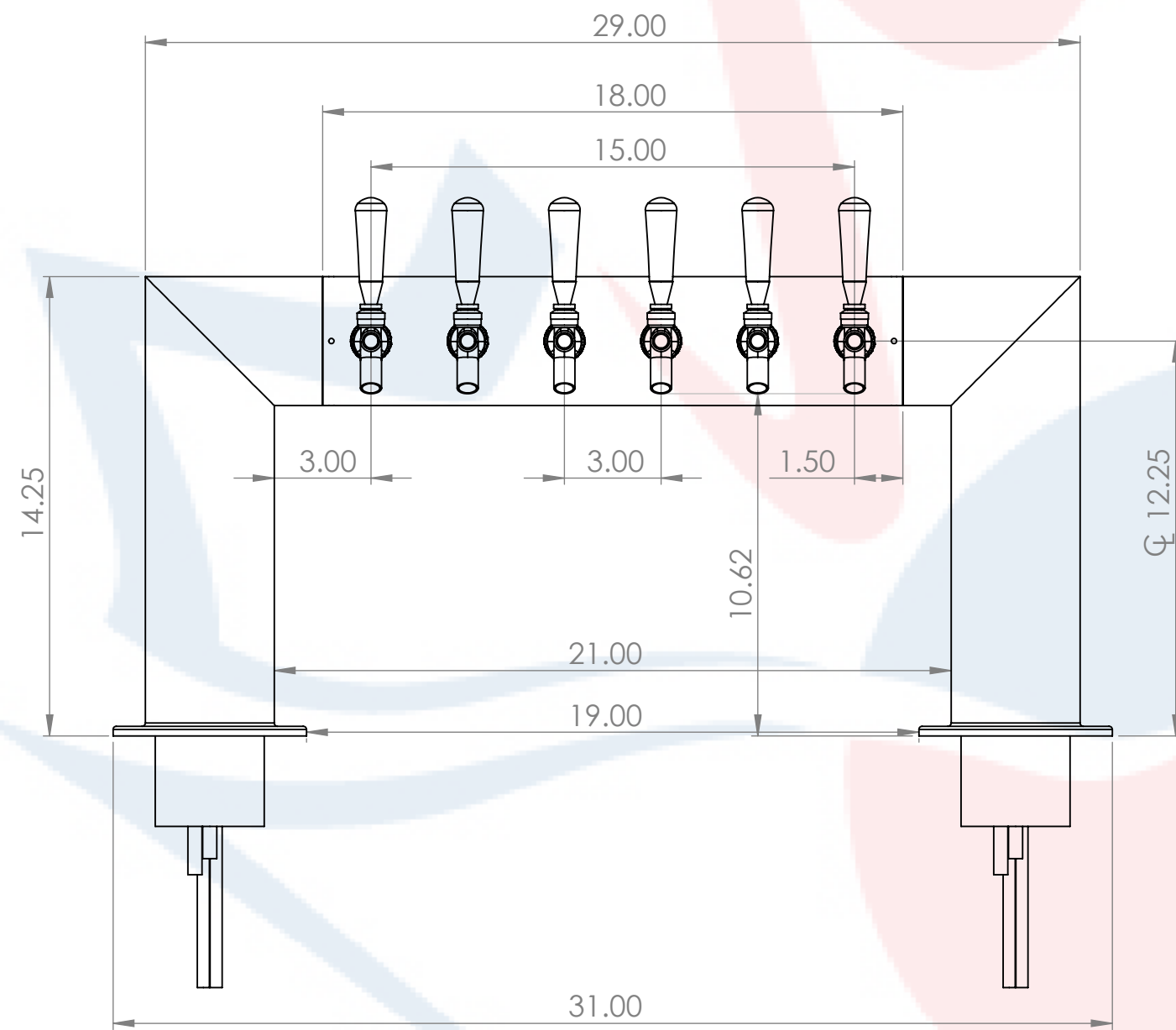
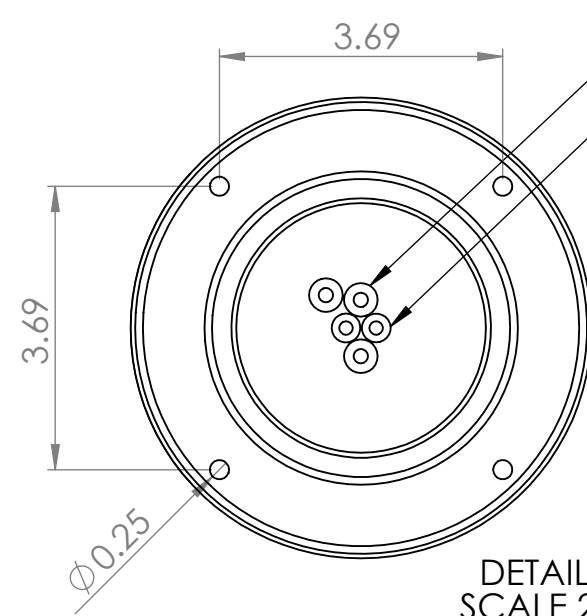
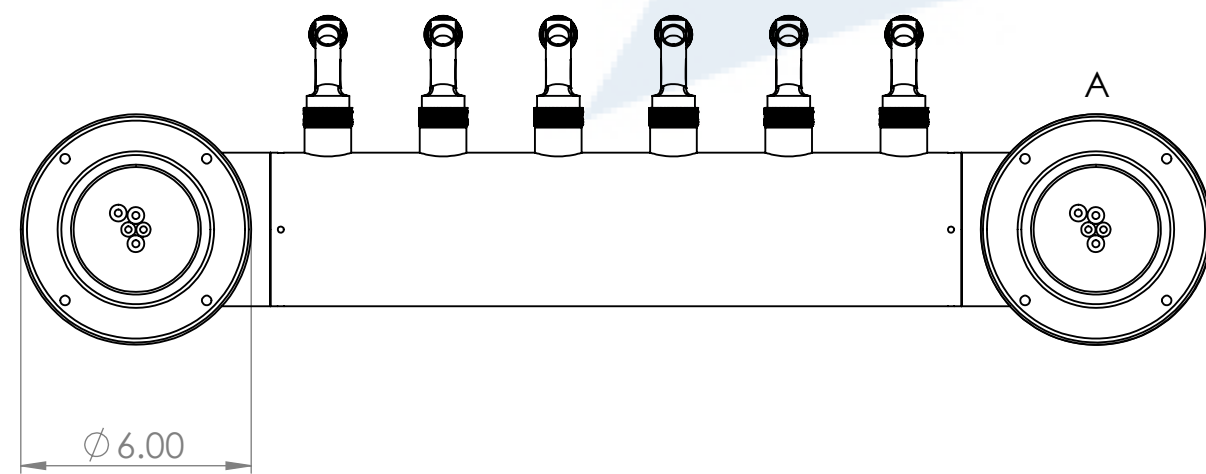


Isometric View
(For reference purpose only)



304SS tube connected to CBS NSF Flexible Total Barrier Tubing to 15lbs of Restriction



6 beer lines: 3/16" ID x 7/16" OD
2 recirculation lines: 3/8" OD ACR copper

DETAIL A
SCALE 2 : 5

Suggested Drip Tray:
BB701320 - 20" x 7" BSS Drip Tray
BB702420 - 20" x 7" BSS Spray Drip Tray



Name		Date		Title:	
Drawn by:	Canadian Beverage Supply Inc.	07/02/2020		6T Pass Thru Tower	
Approved by:	VP Sales				
Material:	304 SS	Finish:	Brushed SS	Part Number:	Revision:
Unless otherwise mentioned, dimensions are inches				Part Number:	Revision:
				BB102479-06CK	
				SCALE:	SHEET 1 OF 1
				1:5	